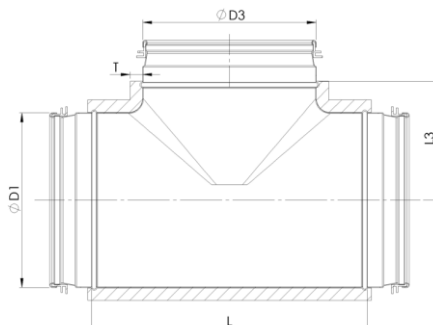


Pre-insulated T-joints with gaskets IF-TCPS



Description

Insulated metal T-joints are designed for ventilation, conditioning and recuperation purposes. The insulation provides excellent sound insulation, heat insulation and protects against condensation. Factory-applied insulation significantly reduces on-site assembly time

Technical data

Construction	T-joints, made of galvanized steel or other metal Covered with 9 mm thick flexible elastomeric foam (FEF) insulation
Connection	Male-Male type end connection
Installation	Screws, rivets
Colors	Black

Dimensions

Type	ØD1 _{nom} [mm]	ØD3 _{nom} [mm]	L [mm]	L3 [mm]	m [kg]
IF09-TCPS100-100*	100	100	195	71	0,55
IF09-TCPS125-100*	125	100	195	79	0,63
IF09-TCPS125-125*	125	125	220	82	0,72
IF09-TCPS160-100*	160	100	195	97	0,76
IF09-TCPS160-125*	160	125	220	99	0,86
IF09-TCPS160-160*	160	160	255	99	1,08
IF09-TCPS200-125*	200	125	230	118	1,04
IF09-TCPS200-160*	200	160	265	129	1,31
IF09-TCPS200-200	200	200	270	110	1,13

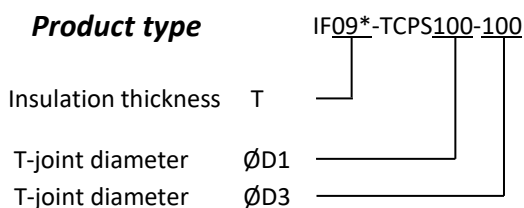
*Pressed

When making a special order, T-joints are available in other sizes

Technical specifications

Essential characteristics	Operating properties	Testing standard
Thermal conductivity coefficient (for all thicknesses)	-10°C- 0,034 W/m × K 0°C- 0,036 W/m × K 25°C- 0,037 W/m × K 40°C- 0,041 W/m × K	EN 12667
Fire reaction	B- s3, d0	EN 13501-1
Working temperature	-40°C to 85°C	

Product type



**When making a special order, the insulation is available in other thicknesses*